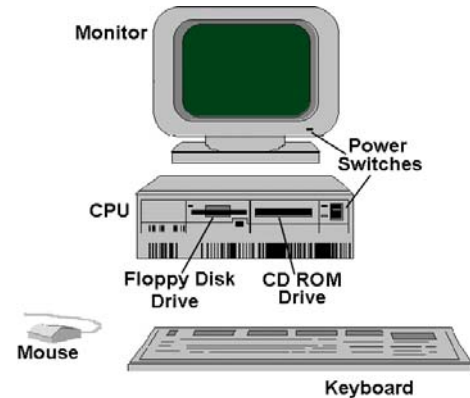


how computers work (2)

what goes on inside

computer from the outside:



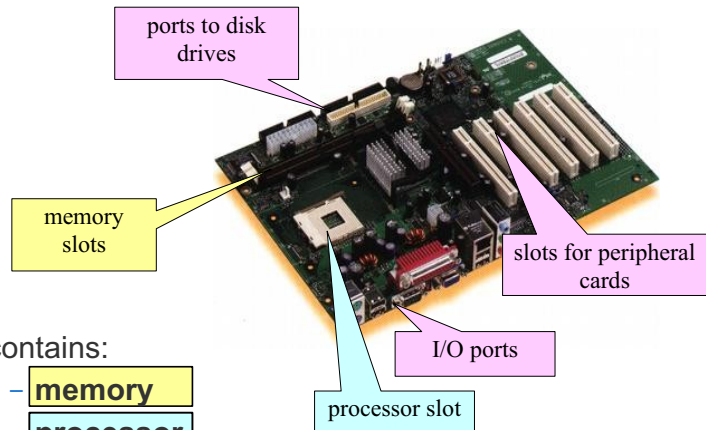
inside the box: the motherboard

from www.sharkyextreme.com/hardware/motherboards/



contains:

- **memory** to store data and instructions
- **processor** to execute instructions, and
- **I/O ports** to communicate with peripherals
- **control circuitry** to coordinate everything



contains:

- **memory**
- **processor**
- **I/O ports**
- **control circuitry**

the motherboard abstracted

memory or RAM (random access memory): where program instructions and associated data are stored when running on the computer

I/O ports: communication with peripherals

processor or CPU: where program instructions are executed; contains **ALU** (*arithmetic and logic unit*) and **control unit**

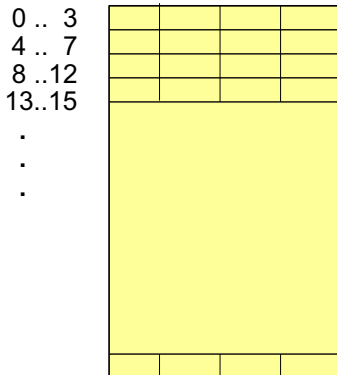
fetch/execute cycle

the **control unit** of the processor coordinates the **fetch/execute cycle**:

- an instruction and its data are **fetch**ed from memory and put in the processor
- the **ALU** of the processor **exec**utes the instruction
- the **result is return**ed to memory or output ports

memory organization (32 bits)

address

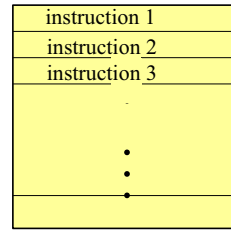


- memory is a giant array of **words**

- each word stores 4 *bytes*
- each byte stores 8 *bits*
- each bit is 0 or 1
- the location of each byte has an *address*

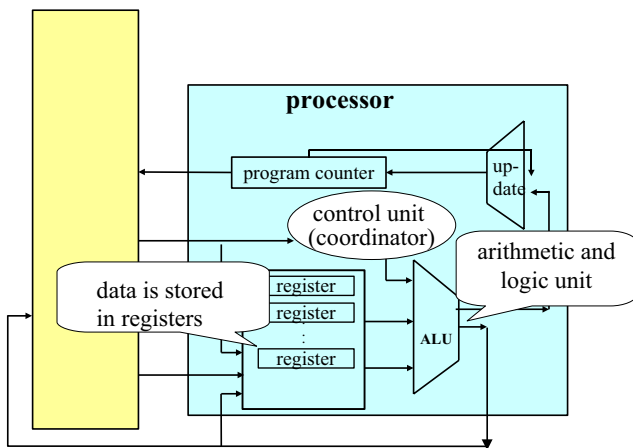
- memory stores both data and instructions

instructions in memory



- the processor can execute simple instructions, which comprise the *machine language* of the processor
- a machine language program is stored in *instruction memory* in RAM
- each instruction is a binary string, say, 32 bits long

processor organization



machine language instructions

machine instructions are a lot more primitive than, say, Java instructions

examples:

- **add, subtract, multiply** data stored in the processor
- **load** and **store** instructions to get data from memory to registers and back
- **branch** and **jump** instructions for control flow
- instructions for communication with I/O devices

example: add instruction

add 3, 4, 3:

add the contents of registers 3 and 4, and store the answer in register 3

6 bits	5 bits	5 bits	5 bits	5 bits	6 bits
add	3	4	3		add
000000	00011	00100	00011	00000	100000

example: load instruction

load 3, 7000:

load into register 3 the contents of memory location 7000

example: branch instruction

branch 2, 5:

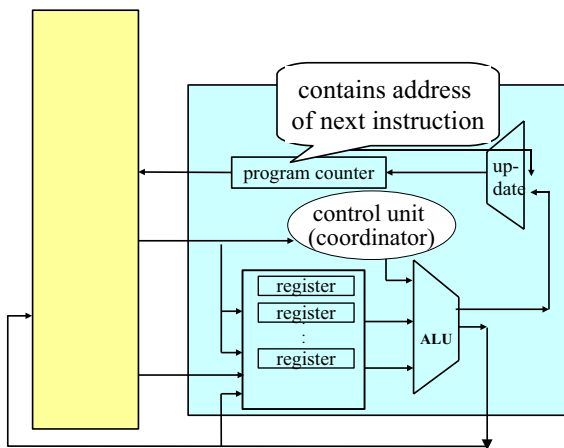
if content of register 2 is 0, then move ahead by 5 instructions, otherwise continue to the next instruction

example: jmp instruction

jmp 7:

move ahead by 7 instructions

processor organization

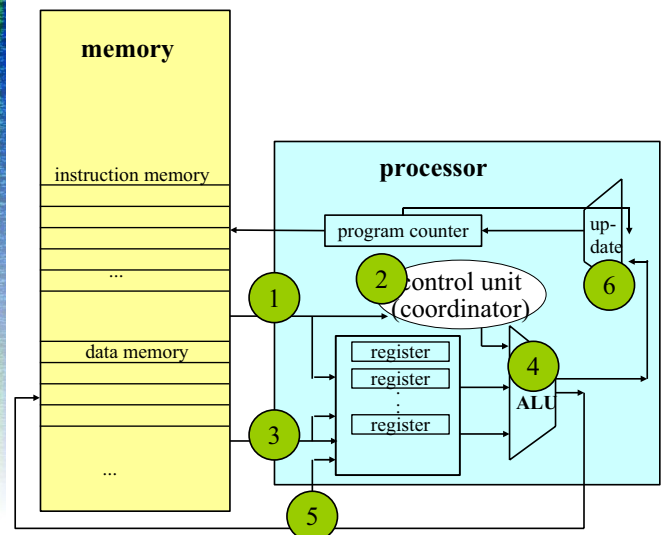


the program counter

- when the execution of an instruction is complete, the control unit retrieves the next instruction from memory
- the **program counter** contains the memory address of the next instruction
- the program counter must be updated after each instruction is executed

fetch/execute cycle (in detail)

- 1 fetch instruction specified by program counter
- 2 decode instruction
- 3 fetch data from memory and store in registers
- 4 perform operation and send result to data memory, a register, or program counter
- 5 update data memory
- 6 update program counter

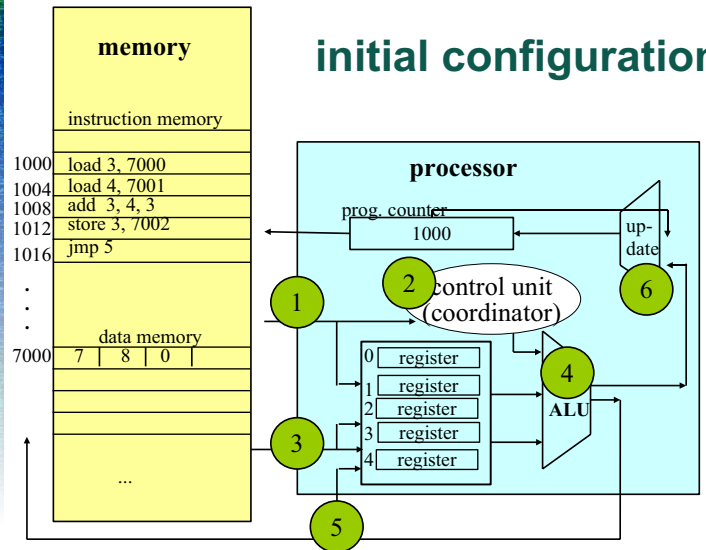


putting it all together

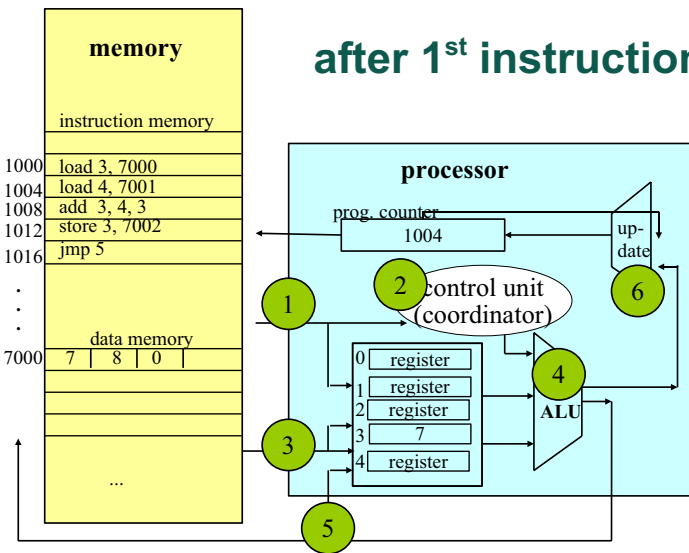
trace out the fetch/execute cycle on the following instructions:

- **load 3, 7000** (load into register 3 the contents of memory location 7000)
- **load 4, 7001** (load into register 4 the contents of memory location 7001)
- **add 3, 4, 3** (add the contents of registers 3 and 4 and store in register 3)
- **store 3, 7002** (store the contents of register 3 in memory location 7002)
- **jmp 5** (move ahead 5 instructions)

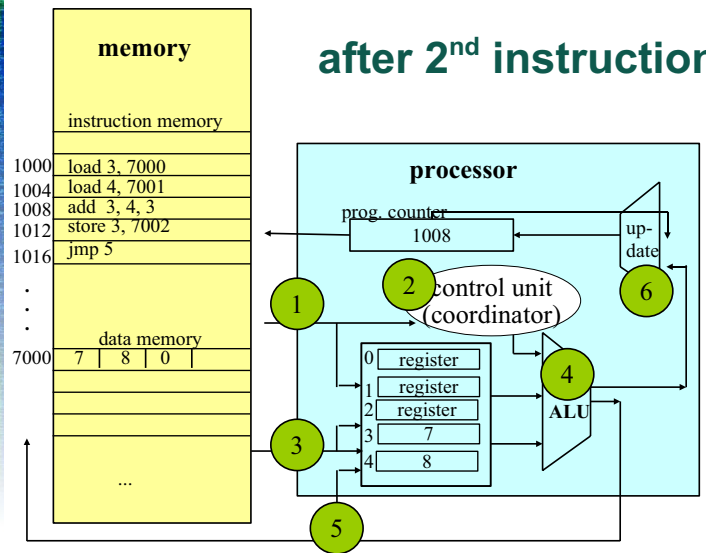
initial configuration



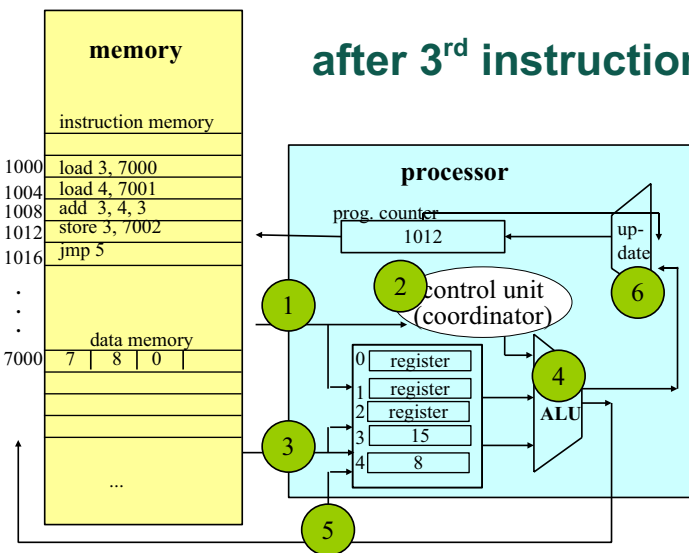
after 1st instruction



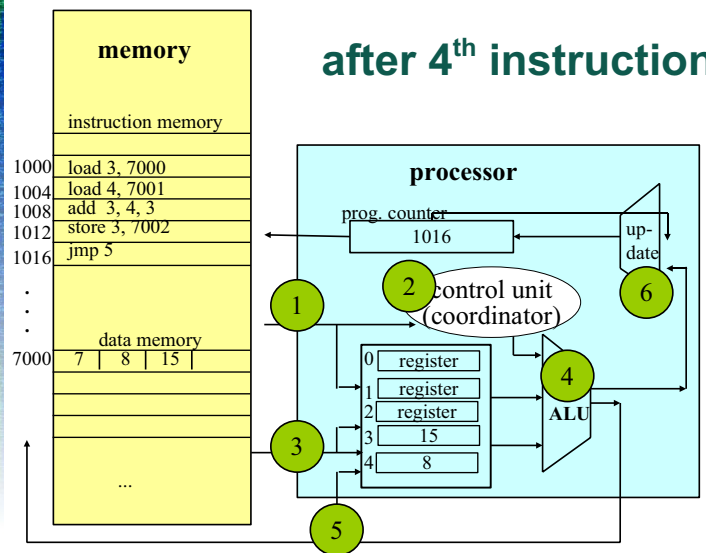
after 2nd instruction

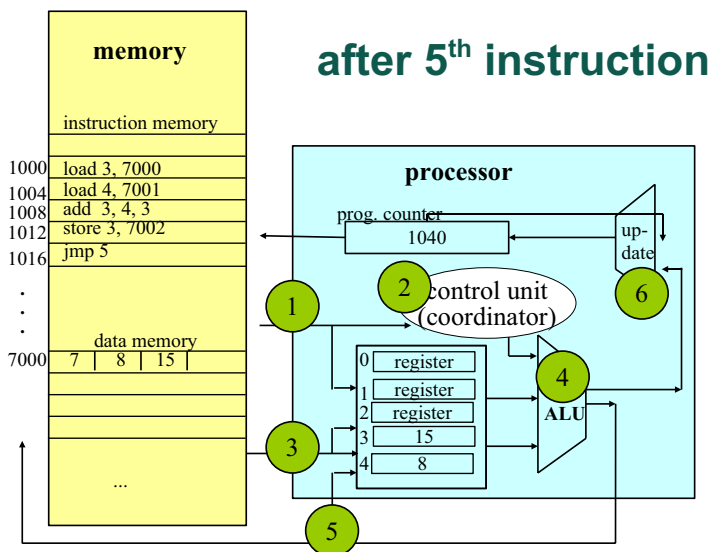


after 3rd instruction



after 4th instruction





clocks

- a clock controls the timing of each step in the instruction cycle
- when it is time for a signal to be sent, the wire containing that signal is *enabled*
- at other times, the signal is *disabled*
- modern processors may have clock speeds of more than 1 gigahertz, which means 1 cycle per nanosecond, or 10^9 instructions per second

“remember your nanoseconds!”

“The ‘nanoseconds’ that Grace Hopper handed out were lengths of wire, cut to not quite 12 inches in length, equal to the distance traveled by an electron along the wire in the space of a nanosecond - one billionth of a second. In teaching efficient programming methods, Admiral Hopper wanted to make sure her students would not waste nanoseconds.”



- From “Tribute to Grace Murray Hopper” by Merry Maisal
http://www.sdsc.edu/Hopper/GHC_INFO/hopper.html

making computations faster

- much effort has been expended in increasing processing speed:
 - multiple processors
 - caches (stores of data on the processor)
 - pipelining (starting one instruction before the last one finishes)
- processing speed has increased rapidly over the past 30 years

resources

- see chapter 9 of the text, up to page 261
- Michael Karbo’s book on PC Architecture (available on-line for personal use):
www.karbosguide.com/books/pcarchitecture/start.htm
- More technical information on the Intel 4 processor:
www.hardwaresecrets.com/article/235